



GESTRA® Duo Steam Trap BK 15



Issue Date: 7/02

Steam Traps
PN 40
DN 40 and 50 mm
1½" and 2"
BK 15

A1

Description

Thermostatic/thermodynamic steam trap with corrosion-resistant regulator unaffected by waterhammer. The Duo stainless steel regulator is externally adjustable. With integral strainer and non-return valve action. Asbestos-free cover gasket (graphite). Installation in any position.

The steam trap is adjusted at our factory to discharge condensate with virtually no banking-up. More undercooling (banking-up of condensate) can be manually adjusted during operation from the outside.

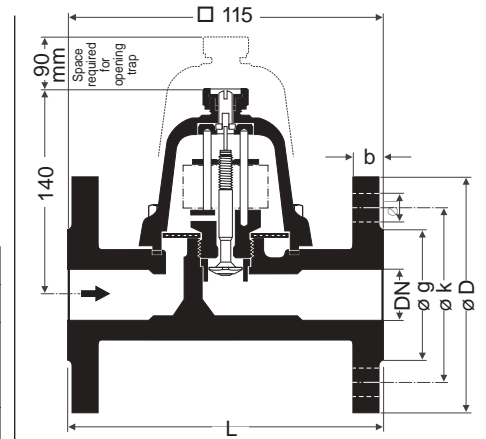
Pressure/Temperature Ratings BK 15, DN 40 + 50 mm			
Body material	Forged steel 1.0460 (C 22.8) / ASTM A 105		
Connections	Flanged to DIN PN 40, ASME Class 300 Screwed BSP, NPT Butt-weld ends, socket-weld ends		
Service pressure PMA [barg] [psig]	32 465	22 320	14.5 210
Related temperature TMA [°C] [°F]	250 482	385 725	450 842

Pressure/Temperature Ratings BK 15, DN 40 + 50 mm, Flanges Class 150			
Body material	Forged steel 1.0460 (C 22.8) / ASTM A 105		
Connections	Flanged to ASME Class 150		
Service pressure PMA [barg] [psig]	16.9 246.5	12.1 176	6.5 94.3
Related temperature TMA [°C] [°F]	120 248	250 482	350 662

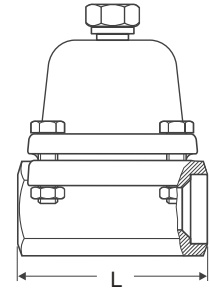
Materials	DIN reference		ASTM material
	New designation	Old designation	
Body		C 22.8 (1.0460)	A 105
Cover		C 22.8 (1.0460)	A 105
Bolts		42 CrMo 4 (1.7225)	A 193 B 7 (ASTM equivalent ¹⁾)
Nuts		42 CrMo 4 (1.7225)	A 194 B 7 (ASTM equivalent ¹⁾)
Body gasket	graphite		
Regulator	stainless steel / Duo stainless steel		
Other internals	stainless steel		

¹⁾ Physical and chemical properties comply with DIN grade.
ASTM nearest equivalent grade is stated for guidance only.

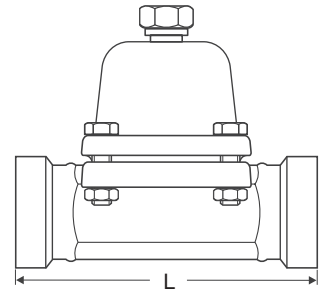
Dimensions and Weights	End Connections									
	Flanged to DIN		Socket-weld		Butt-weld		Screwed sockets			
Nominal sizes [mm] DN [in]	40 1½	50 2	40 1½	50 2	40 1½	50 2	40 1½	50 2		
Face-to-face dimensions [mm] L	230	230	130	210	250	250	130	210		
(DIN) Flange dimensions PN 40 [mm]	D 150	165	b 18	20	k 110	125	g 88	102	l 18	18
Number of bolts	4		4							
Butt-weld ends according to DIN 3239					48.3 x 2.6	60.3 x 3.2				
Approx. weight [kg]	11	12.5	6.3	7.7	6.8	7.5	6.3	7.7		



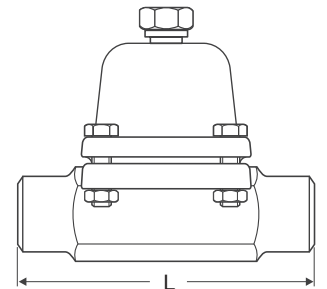
BK 15 with flanged ends, DN 40, 50 (1½", 2")



BK 15, DN 40 mm (1½"), with socket-weld ends



BK 15, DN 50 mm (2"), with socket-weld ends



BK 15, DN 40, 50 (1½", 2") with butt-weld ends

Connections

Flanges: DIN 2635 (BS 4504) form C, PN 40.
ASME B 16.5 (BS 1560)
150 and 300 RF.

Socket-weld ends

Butt-weld ends

Screwed sockets: BSP or NPT

A₁

**Steam Traps
PN 40
DN 40 and 50 mm
1½" and 2"**

BK 15



GESTRA GmbH

P. O. Box 10 54 60, D-28054 Bremen
Münchener Str. 77, D-28215 Bremen
Tel. +49(0)421 35 03-0, Fax -393
E-mail gestra.gmbh@gestra.de
Internet www.gestra.de



Flow Control Division

Capacity Chart

The chart shows the maximum capacities for hot and cold condensate discharge at factory setting (steam-tight closure).

Curve 1

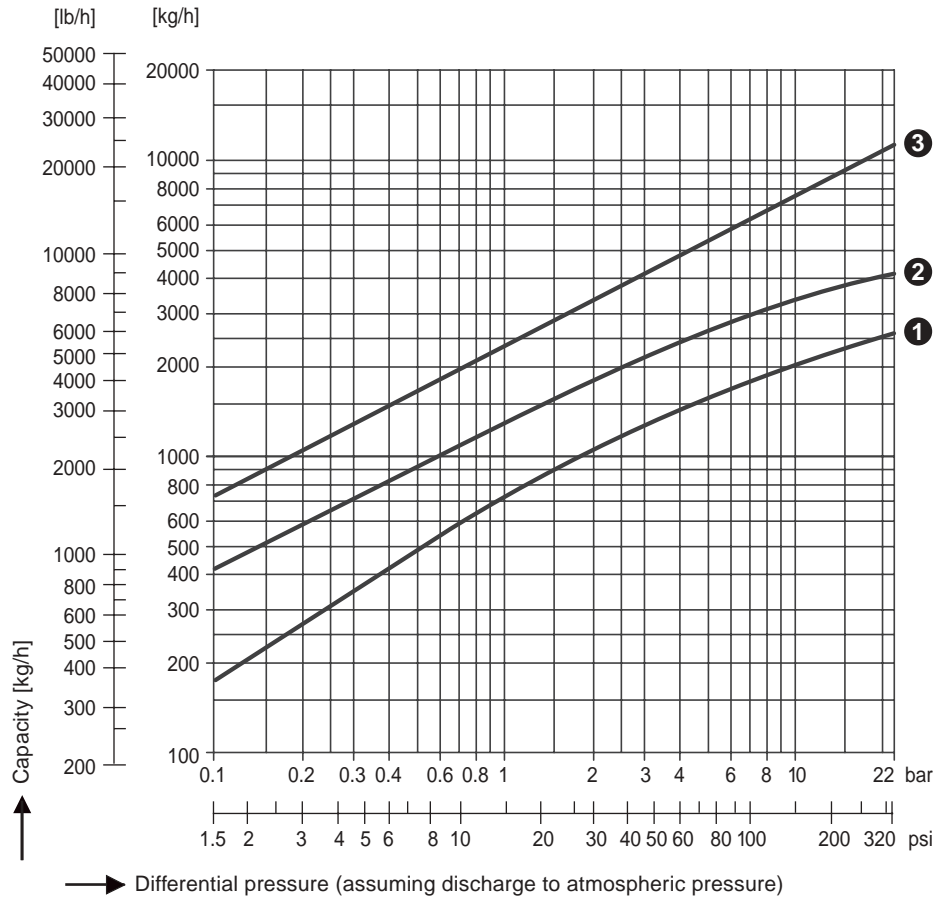
Condensate discharge without banking-up. Condensate temperature at a maximum 10 K (degC) below saturation temperature.

Curve 2

Condensate temperature 30 K (degC) below saturation temperature (by banking-up).

Curve 3

Cold condensate at a temperature of 20 °C.



When ordering please state:

Steam pressure, back pressure, quantity of condensate to be discharged, connections, size, position of the trap and details of application.

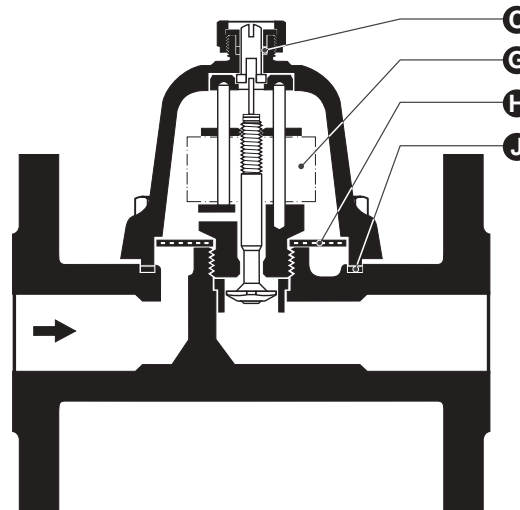
The following test certificates can be issued on request, at extra cost:

In accordance with DIN EN 10204/2.2. and -3.1B.

All inspection requirements have to be stated with the order. After supply of the equipment certificates can no longer be established. Charges and extent of the above mentioned certificates as well as the different tests confirmed therein are listed in our leaflet "Test and Inspection Charges for Standard Equipment". For other tests and inspections than those listed above, please consult us.

Supply in accordance with our general terms of business.

Technical modifications reserved.



Item	Designation	Stock code	
		DN 40	DN 50
C	Packing*)	376552	376552
G	Regulator	098847	098847
H	Strainer, complete	375698	375698
J	Gasket*) 92.7 x 102 x 1, graphite	375699	375699

*) Minimum purchasing quantity 20 pcs. For smaller quantities please contact your local dealer.